

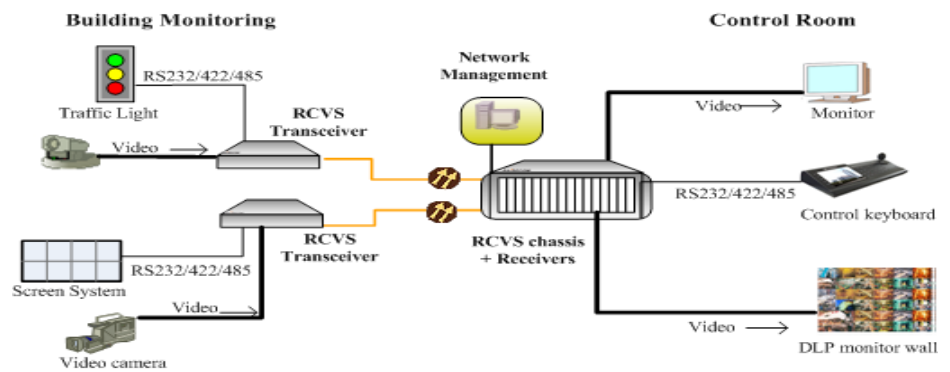
Digital Video Optical Multiplexer

Nowadays security requirement level of infrastructure protection is increased continuously because of the terrorist attack which was well known as the big tragic event around the world. Therefore the security surveillance system in public buildings especially in airports, train station and public "hotspots" becomes much more necessary. The purpose for surveillance is to provide constant real-time operational information, such as high-quality digital images, in order to maintain security and intrusion detection at the monitored locations.

Digital video technology emerged as the ultimate facilitator for surveillance needs and

already plays an important role in the security area, which enables flexible, real-time, highly manageable and tunable solution. Raiscom utilizing this one-up digital uncompressed technology along with WDM technology designed RCVS1000 series digital video optical multiplexer which can extend video and data service up to 60 km distance simultaneously through one single dark fiber. Through the transmission real-time high-definition video can be got on the receiver side because the video signal in RCVS1000 is uncompressed. In this multiplexer data service including RS-232, RS485 (2/4 wires) and RS 422 can be customized by users according to the actual application.

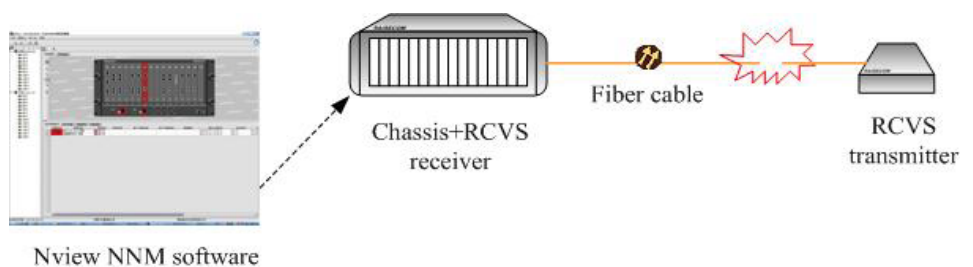
Application of Building or Traffic Surveillance



Nevertheless, the video optical multiplexer has advanced network management and detection function which completely complies with requirements of telecom level. Accompanying with Raisecom one slot, 4 slot or 16 slot

chassis, local and remote management of RCVS1000 series devices can be realized. Monitoring, configuring and diagnosing are available in GUI of Raisecom network management software NView NNM.

Report of cable cut down alarm in NView NNM software



Raisecom's solution facilitates the design and implementation of surveillance applications with comprehensive infrastructure intelligence. Our solution is offered with filed-proven experience

in surveillance deployment and transcended services.