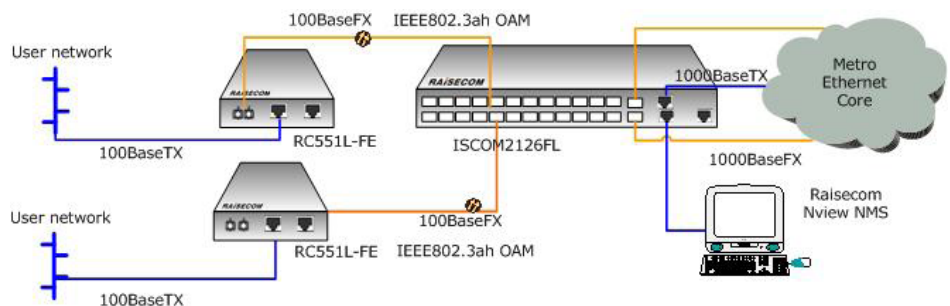


Ethernet Access Solution -L2 Fixed Fiber-port Ethernet Switch Plus Demarcation Media Converter

Service Demands

The potential value and advantages of Ethernet service deployment are compelling. Today, the vast majority of data traffic begins and ends as Ethernet. Using Ethernet as the protocol of access is a natural fit for many customers—they understand and can easily integrate into their own networks. For the carrier, Ethernet can be easily and transparently transported across the metro network. Fiber optic has been recognized as the best media to support high bandwidth capacity over long distance and local access optical distribution network. The OAM network management functions provide for network fault and performance monitoring, diagnostics, and fault isolation. As an access equipment vendor, Raisecom Technology develops and provides state-of-the-art Layer 2 all optical Switch plus Ethernet Demarcation solution.

Applications



ISCOM2126FL is a cost-effective switch which is equipped with abundant L2 features such as OAM (Operations, Administration, and Maintenance), Rate Limiting, QOS (Quality of Service), Link Aggregation, IEEE802.1q VLAN Tagging and Stacking, Multiple VLAN Registration for IPTV, Port Isolation, and Loopback Detection.

RC551L-FE is Raisecom's new IEEE802.3ah OAM compliant Ethernet Demarcation Device (EDD), which serves as a service border controller located at the customer premises and owned by the service provider. It always works in slave mode and can be remotely managed by master devices through 802.3ah international standard, enabling carriers an easy and convenient LAN extension. With industry-leading advances such as IEEE802.3ah OAM discovery, MIB variable response, Loop back, dying gasp and rate limiting, RC551L-FE offers an economical and carrier-class fiber optic extension.

This solution is designed for high-end ISPs and carriers to provide the most uptime network for their most important customers. This Art of Smart application of IEEE802.3ah compliant EDD RC551L-FE plus Ethernet switches ISCOM2126FL application, allowing carriers and service providers to have a crystal-clear vision of their network and an easy convenient managed demarcation point.

Advantages

- Clear Ethernet demarcation point between the end user customer and the carrier. The EDD creates a clear demarcation point between the carrier's and the customer's networks and provides visibility to the customer's premises. This solution allows the operator to effectively isolate the customer's network when testing and monitoring the end-to-end link, and thus eliminate diagnostic errors due to end-customer activities.
- OAM functionality.
 - Discovery
 - Remote failure indication: Dying gasp, link fault & critical event
 - Remote, local loopback
- Excellent price/performance enables cost-effective network.
 - ISCOM2126FL provides 24*100M fixed single-strand fiber ports, which is much cheaper than switch with full SFP. Since WDM technology is applied, only one single-mode optical fiber per port is required to transmit and receive optical data.
 - RC551L-FE is a cost-effective EDD with standard OAM function.